

Description

IRIS diaphragm regulators are specially designed to measure and control the air flow in circular ducts for ventilation and air conditioning.

The IRIS damper consists of a body and a diaphragm made of galvanized steel.

- Available in : - galvanized steel ZnP 275
- stainless steel 316L (except diameter 150 and 300)
- Diameters from 80 to 800 mm.
- Adjusting plastic nut with plastic key.
- Measuring point provided on each side of the iris damper for the connection of a pressure gauge.
- Selection chart giving the air flow depending on the different opening positions of the iris damper, and corresponding pressure levels.
- Double lips gasket for tight connection with the duct.
- Service temperature from -10°C up to +80°C.
- **Airtightness class C according to EN 1751.**



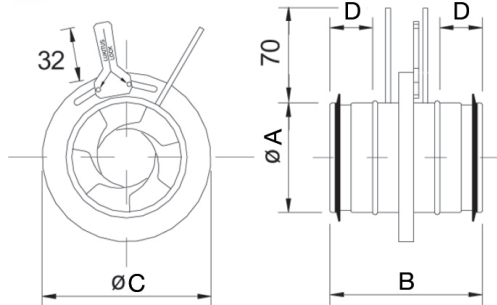
IRIS



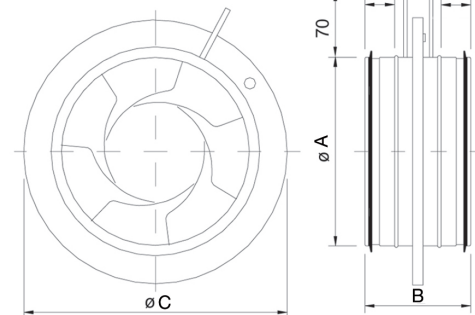
IRIS INOX

Technical specifications

IRIS 80



IRIS 100-800



	A (mm)	B (mm)	C (mm)	D (mm)	Weight (kg)
IRIS-80	79	115	125	35	0,5
IRIS-100	99	115	165	30	0,6
IRIS-125	124	115	188	30	0,7
IRIS-150	149	115	230	30	1,0
IRIS-160	159	115	230	30	1,0
IRIS-200	199	120	285	30	1,4
IRIS-250	249	135	335	40	2,0
IRIS-300	299	140	405	40	2,6
IRIS-315	314	140	405	40	2,6
IRIS-400	399	150	525	55	6,5
IRIS-500	499	150	655	52	9,0
IRIS-630	629	160	815	60	16,0
IRIS-800	799	290	1015	120	25,0

Information contained herein is based on careful tests and experience. It reflects our knowledge and is for guidance purpose only. It is given in good faith and user should ensure that the product is fit for purpose before any application. The quoted values are average and should not be taken as maximum or minimum values for specific purposes. Manufacturer and distributor are not responsible for any non-recommended use or consequential damage.

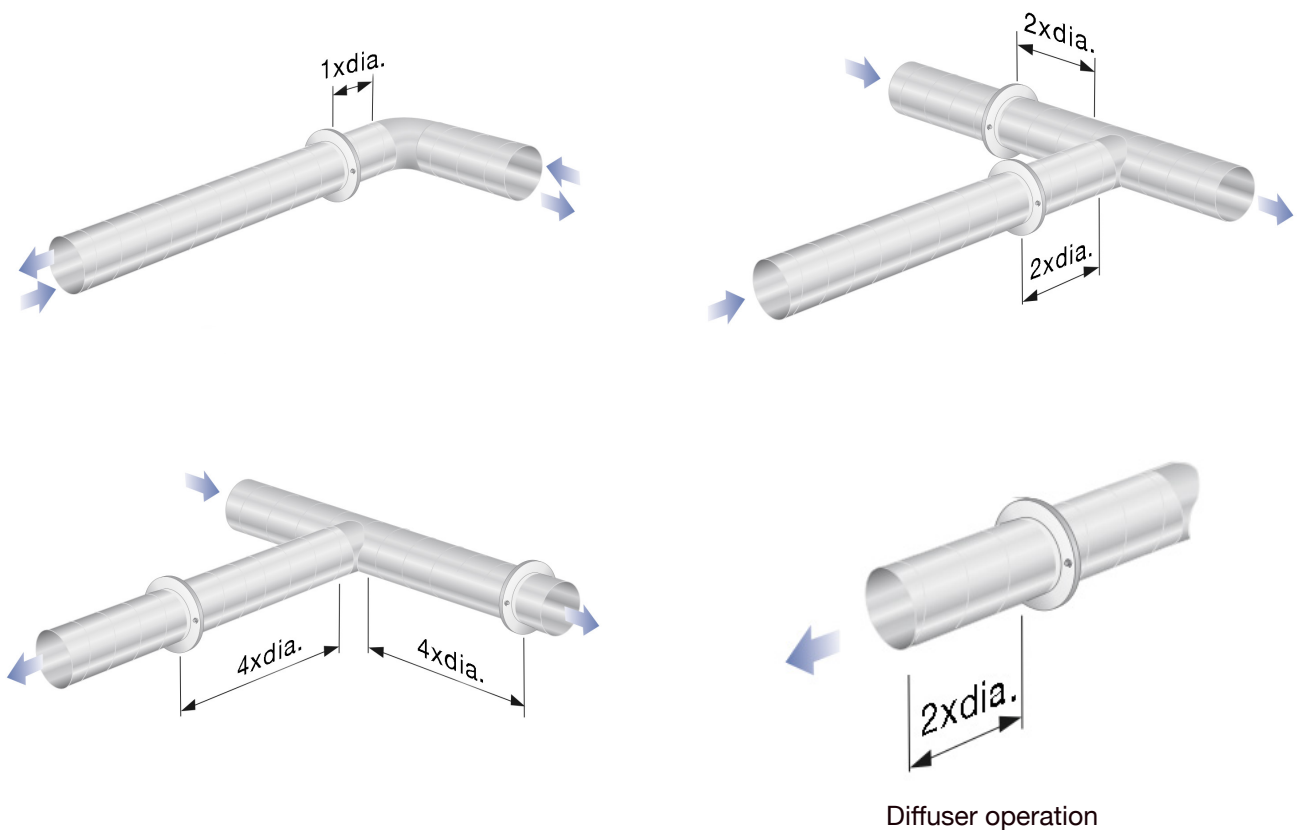
Technical specifications

To obtain a correct accuracy of flow measurement and proper regulation, implementation rules must be followed. Compliance with these guidelines will insure optimal operation of the equipment.

However, IRIS damper operate independently of the air flow direction.

The maximum permissible measurement deviation is $\pm 7\%$. It also applies if the damper is near a T-piece or a duct bend.

Recommended safety distance for typical applications :



Information contained herein is based on careful tests and experience. It reflects our knowledge and is for guidance purpose only. It is given in good faith and user should ensure that the product is fit for purpose before any application. The quoted values are average and should not be taken as maximum or minimum values for specific purposes. Manufacturer and distributor are not responsible for any non-recommended use or consequential damage.